



BMX

Torque Reaction Transducer with ARCII technology

Accuracy $\pm .25\%$ of full scale.
Accuracy $\pm 0.5\%$ of full scale for:
(BMX 10,000F & 20,000F models)

For calibrating hand screwdrivers, wrenches and power tools.

Various models that range from 2 ozf.in to 20,000 lbf.ft.

Features "ARCII" technology, an instant auto-recognition system of the BMX connected to the PTT torque analyzer.

Mountable.

Female square drive.

Bi-directional.



Specifications

Rated Output:	2mv/v Nominal
Safe Overload:	125% of Rated Output
Bridge Resistance:	350 Ohms Nominal
Nonlinearity:	$\pm .1\%$ of Rated Output



Supplied with NIST-Traceable Certification of Calibration



WARNING!

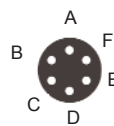
Always use a run down adapter when testing power tools. Not recommended for impact wrenches.

BMX Cable

For connecting the BMX to following Torque Analyzers

Cable	Item #	List Price	Code
For the PTT	072002	\$120.00	D
For the TorqueLab®	065145-XD5	\$120.00	D
For the Wizard:	065145-WD5	\$120.00	D
For the Wizard Plus:	065180	\$295.00	D

BMX Pin Connection



A = Excitation (+)
B = Excitation (-)
C = Signal (-)
D = Signal (+)
E = N/A
F = N/A

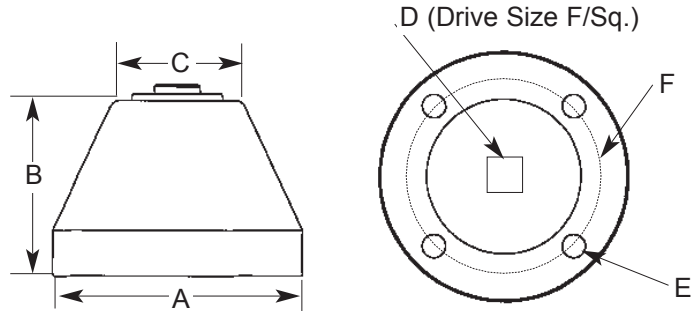
P r o d u c t



B u l l e t i n

May 2006

Page 1 of 2



Torque Ranges

Dimensions

Model	Item #	American	S.I.	A	B	C	D	E	F	List Price	Code
BMX20z	077000	2-20 ozf.in	1.5-14 cN.m	2.75	2.1	1.7	1/4"	0.25	2.175	\$1,385.00	H
BMX40z	077001	4-40 ozf.in	2.9-28.2 cN.m	2.75	2.1	1.7	1/4"	0.25	2.175	\$1,385.00	H
BMX80z	077002	8-80 ozf.in	5.7-56.5 cN.m	2.75	2.1	1.7	1/4"	0.25	2.175	\$1,385.00	H
BMX10i	077003	1-10 lbf.in	11.3-113 cN.m	2.75	2.1	1.7	1/4"	0.25	2.175	\$1,385.00	H
BMX25i	077004	2.5-25 lbf.in	28-282.5 cN.m	2.75	2.1	1.7	1/4"	0.25	2.175	\$1,385.00	H
BMX50i	077005	5-50 lbf.in	56.5-565 cN.m	2.75	2.1	1.7	1/4"	0.25	2.175	\$1,110.00	H
BMX100i	077006	10-100 lbf.in	113-1130 cN.m	2.75	2.1	1.7	1/4"	0.25	2.175	\$1,110.00	H
BMX250i	077007	25-250 lbf.in	282.5-2825 cN.m	2.75	2.1	1.7	1/4"	0.25	2.175	\$1,110.00	H
BMX500i	077008	50-500 lbf.in	565-5650 cN.m	2.75	2.1	1.7	3/8"	0.25	2.175	\$1,110.00	H
BMX750i	077009	75-750 lbf.in	847-8473 cN.m	2.75	2.1	1.75	3/8"	0.25	2.175	\$1,110.00	H
BMX50F	077010	5-50 lbf.ft	6.8-67.8 N.m	2.75	2.1	1.75	3/8"	0.25	2.175	\$1,110.00	H
BMX100F	077011	10-100 lbf.ft	13.6-135.6 N.m	4	2.75	2.25	1/2"	0.413	3	\$1,385.00	H
BMX250F	077012	25-250 lbf.ft	33.9-339 N.m	4	2.75	2.25	1/2"	0.413	3	\$1,500.00	H
BMX500F	077013	50-500 lbf.ft	67.8-678 N.m	4	3	2.4	3/4"	0.413	3	\$1,800.00	H
BMX1000F	077014	100-1000 lbf.ft	135.6-1355 N.m	4	3.75	2.38	1"	0.406	3	\$3,000.00	H
BMX2500F	077015	250-2500 lbf.ft	339-3389 N.m	6	4.65	3.88	1 1/2"	0.531	4.75	\$4,000.00	H
BMX5000F	077016	500-5000 lbf.ft	678-6779 N.m	6	4.65	3.88	1 1/2"	0.531	4.75	\$4,500.00	H
BMX10,000F	077017	1000-10,000 lbf.ft	1335-13558 N.m	7.75	10.5	6.5	2 1/2"	0.75	8.875	\$4,900.00	H
BMX20,000F	077018	2000-20,000 lbf.ft	2711-27116 N.m	7.75	10.5	6.5	2 1/2"	0.75	8.875	\$7,000.00	H

v 1.2